

MOTORIZED HAND TRUCK



MOTORIZED HAND TRUCK

Ergonomic thumb throttle moves forward/reverse without changing gears.

Attachment release handle.

Rear wheel can be stowed when not in use, and has (4) four adjustable height positions.

Manual Park Brake release allows operator to push machine.

Removable battery box can be charged on or off the truck.

Push-too-fast safety prevents runaway situation even when park brake has been manually released.



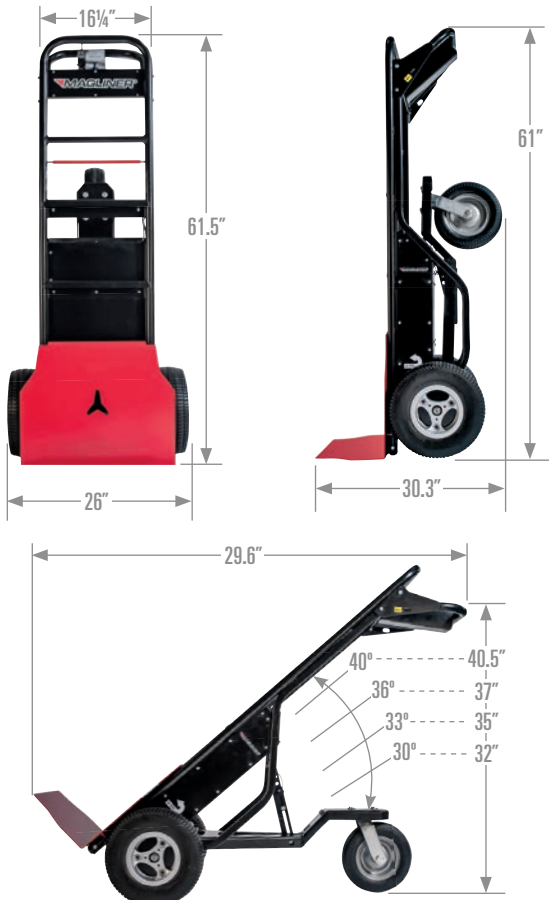
SPECIFICATIONS

Capacity	1000 lbs.
Capacity, 3:1 Ramp	850 lbs.
Weight	212 lbs.
Speed (fwd & rev)	0-4.3 mph variable
System Voltage	36 Volts DC
Range (Continuous/ Intermittent)	2 hrs. / 8+ hrs.
Recharge Time	6 hrs. Max

MODEL SHOWN

MHT75BA

DIMENSIONS



VERSATILITY

The patented quick-attach feature allows user to change out attachments in seconds, without the use of tools. Each attachment securely fastens to the hand truck without the use of pins or bolts.



Flat Plate Attached and Locked.

Capture/Release by Leaning Truck Forward and Pulling Release Handle.

Flat Plate Released.

MOTORIZED HAND TRUCK

SAFETY FEATURES

Propulsion system provides regenerative braking that slows down load when operator reduces throttle input – even on ramps.

Park brake automatically engages when throttle position is zero, locking machine in place.

Open differential transaxle provides tight turn radius in both propulsion and free-wheel modes.

High-Low speed switch.

Auto return to zero from forward or reverse will slow down and stop the unit if contact with throttle is lost.



ATTACHMENT OPTIONS



P/N	W"	D"	WT. (LBS.)
450146	21-½	10	29

Front plate for moving stackable items.



P/N	W"	D"	WT. (LBS.)
450156	21-½	4	26

Tent pole pusher is used to push or pull tent poles into place.



P/N	W"	D"	WT. (LBS.)
450161	23	6	44

Cylinder or inflatable attachment. Carries up to two high-pressure cylinders.



P/N	L"	W"	WT. (LBS.)
450149	10	18	31

Trailer hitch with five standard 2" receivers. 3,500 lbs. towing capacity on hard, level surface.

DRIVE WHEEL OPTIONS



P/N	D"	WT. (LBS.)
10993	13	10

Foam filled tire is maintenance free.



P/N	D"	WT. (LBS.)
10992	13	8

Tube-type pneumatic tire.



P/N	D"	WT. (LBS.)
10995L 10995R	13	8

Tube-type pneumatic tire with aggressive tread pattern.



P/N	D"	WT. (LBS.)
10100L 10100R	13	18

Tube-type dual pneumatic tires with aggressive tread pattern. Increases truck overall width to 34".

ACCESSORIES



P/N	L'	W"	WT. (LBS.)
450003	10	2	2.8

Retractable ratchet strap has 3300 lbs. maximum load and 1100 lbs. working load capacity.



P/N	WT. (LBS.)
460097	35.8

Battery box assembly complete with three 12V batteries (36V total).

MOTORIZED HAND TRUCK



PERFECT FOR MOVING JUST ABOUT ANYTHING, INCLUDING:

- Special event rental items
- Tents, Tables, Chairs, Stakes
- Inflatables
- HP Gas Cylinders
- Trailers
- Appliances
- Tile
- Cement blocks/bags
- HVAC Equipment



MAGLINER®

howi.com

📍 House Of Wheels Inc
7701 W Mossy Cup St | Boise, ID 83709 | USA
☎ (208) 342.3254
📠 (208) 342.1531
✉ info@howi.com